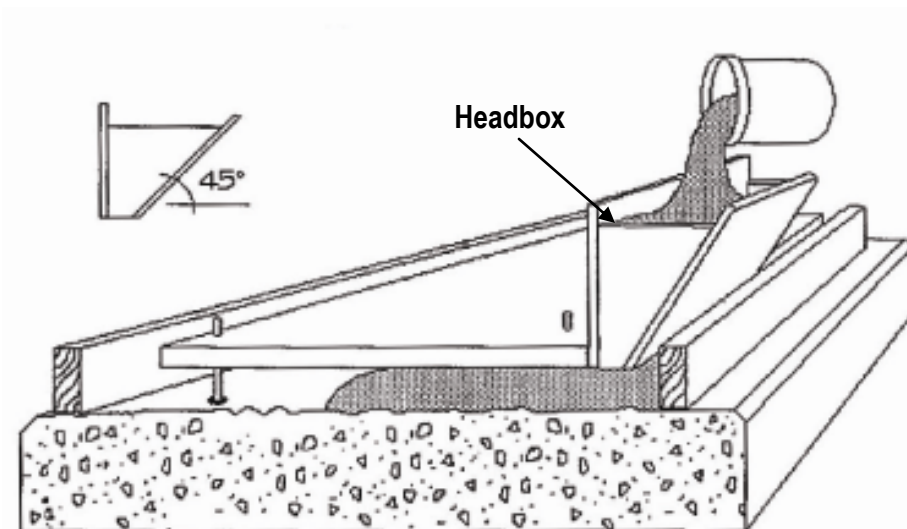
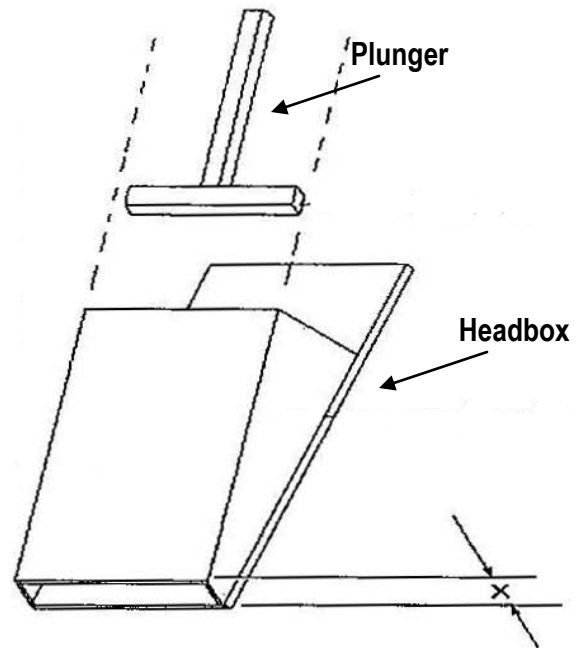


HEADBOX and PLUNGER

A headbox is required for a continuous pour to avoid air pockets under the baseplate and will improve grout flow significantly. When pouring into a headbox, grout shall be introduced in a manner to avoid air entrapment. Care must be taken during grouting to keep the headbox at least half full of material to ensure even grout flow. If necessary to assist the flow, a plunger may be used. This procedure shall continue until the grout rises above the bottom edge of the baseplate on the opposite side.

Note: width "x" shall allow placement of the output end of the headbox to fit between the edge of the baseplate and formwork as illustrated in the bottom diagram.



Five Star Technical Bulletins are provided for informational purposes only and should be used as general guidelines for consideration by contractors and engineers. While every reasonable effort has been made to ensure this information is accurate and authoritative, Five Star Products does not warrant the accuracy or completeness of this information, or its appropriateness for any particular purpose. The user of these documents remains solely responsible for the specification of all methods, materials, and practices.

Five Star Products, Inc.
Corporate Headquarters
 750 Commerce Drive
 Fairfield, CT 06825 USA
 Tel: 203-336-7900 • Fax: 203-336-7930
<http://www.fivestarproducts.com>



©2009 Five Star Products, Inc. (07/01/09)
 American Owned & Operated