



FIVE STAR
Engineered Solutions

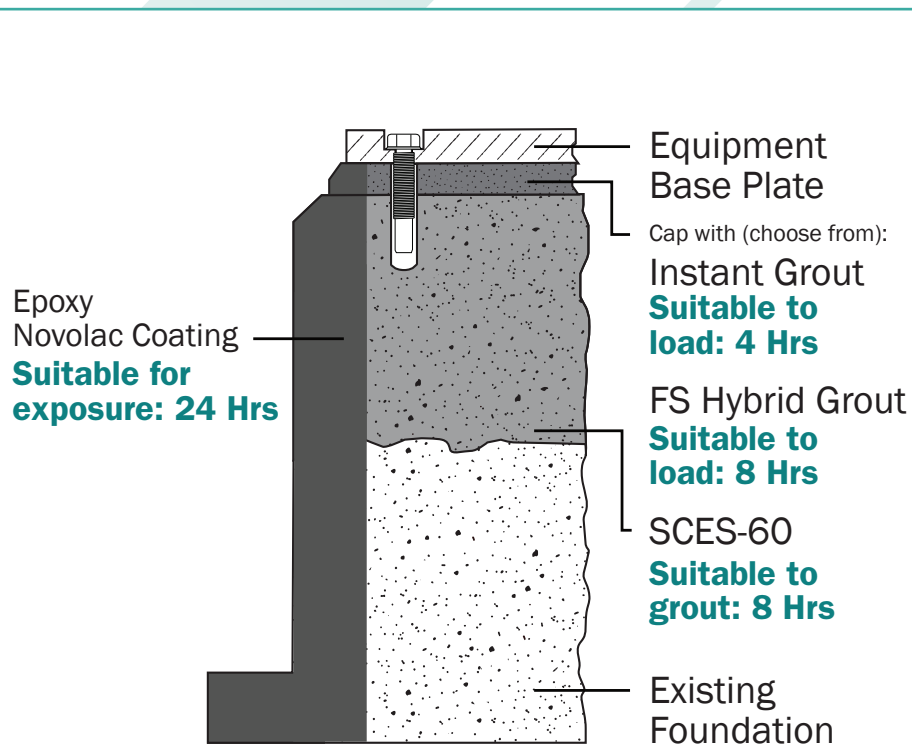


**RETURN
TO SERVICE
SOLUTION**

CHEMICALLY RESISTANT • PRECISION NON-SHRINK FOUNDATION

STATIC LOAD

- High Chemical Resistance
- Fast equipment turnaround time
- Air Release technology per ACI 351.1R
- Achieve 95%+ Effective Bearing Area
- Provides placement versatility: Pour or Pump
- Permanent support for machinery requiring precision alignment
- Nonshrink from the time of placement
- Technical Support, Pre-Grout Planning, and On-Site Guidance from Five Star Products



FIVE STAR PRODUCTS has engineered time-saving solutions for the rebuilding of machinery foundations, reducing costly downtime and enabling quicker return-to-service times.

Five Star Epoxy Novolac Coating application can be horizontal or vertical, providing superior, long-lasting resistance to a wide range of chemicals, solvents and acids.



**RETURN
TO SERVICE
SOLUTION**

CHEMICALLY RESISTANT • PRECISION NON-SHRINK FOUNDATION

STATIC LOAD



Structural Concrete ES-60

Comprehensive Strength
AST C 942 (C109 restrained)

Suitable to grout: 8 Hrs

**RETURN TO
SERVICE TIMES (HRS)**

12

16

24

CAPPING OPTIONS:



Instant Grout

4,000 psi Compressive strength
ASTM C 942 (C109 restrained)



Hybrid Grout

4,000 psi @ 72°F
Compressive strength
ASTM C 942 (C109 restrained)



Epoxy Novolac Coating

Comprehensive Strength
AST C 942 (C109 restrained)
In-Service Time (hydrocarbons) 24 hours



Return to Service (RTS) time reflects cumulative cure time for both lifts.

Higher ambient temperatures will accelerate strength development.



FIVE STAR
Engineered Solutions

60 Parrot Drive, Shelton, CT 06484 1-800-243-2206

For placement guidelines and typical properties please refer to TDS on our website: fivestarprouducts.com.

The data shown above reflects typical results based on laboratory testing under controlled conditions. Reasonable variations from the data shown may result. Test methods are modified where applicable.